

FESX-2000P

2000 WATTS - INDUSTRY LEADING 9.2W/IN³



FEATURES:

- 2000 Watts in 5" x 4.81" x 9" Size!
- 220 Vac Input with Power Factor Correction
- -48VDC/41.7A Output
- True Hot Swap with ELCON Floating Middle Drawer Connector
- N+1 Redundant with Internal Oring Diodes
- Zero Wire Current Sharing
- Power Good Signal with LED
- Ruggedized Mechanical Design
- Two Year Warranty
- Greater than 500,000 Hrs MTBF in Redundancy
- UL, cUL, TUV, CE



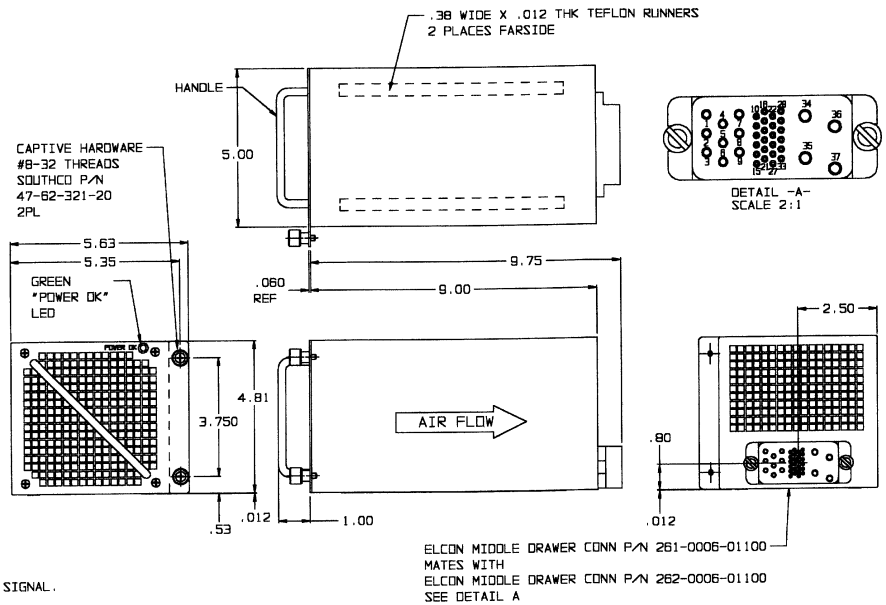
FESX-2000P

* IN PDF FORMAT, PRINT OR ZOOM TO SEE DRAWING

J1 ELCON CONN P/N 261-0006-01100		
PIN #	SIGNAL	PIN PART #
1	AC-L	701-12-02109K#12M, GOLD)
2	AC-N	701-12-02109K#12M, GOLD)
9	CASE GND	701-15-02109K#12M, GOLD PREMATE)
3-8	N/C	N/A
10	-48 SENSE RTN	701-14-02109K#20M, GOLD)
11	-48V SENSE	701-14-02109K#20M, GOLD)
12	POWER GOOD	701-14-02109K#20M, GOLD)
13	INHIBIT	701-14-02109K#20M, GOLD)
14	PRESENT	701-14-02109K#20M, GOLD)
15-33	N/C	N/A
34	-48V/41.7A	701-11-02107K#8M, SILVER)
35	-48V/41.7A	701-11-02107K#8M, SILVER)
36	-48V RTN	701-11-02107K#8M, SILVER)
37	-48V RTN	701-11-02107K#8M, SILVER)

NOTES:

- 90-264VAC INPUT, 2000W MAX OUTPUT TO 50°C AMBIENT.
- 48V OUTPUT CONTAINS ORING DIODES FOR N+1 REDUNDANCY. A "DROOP" CURRENT SHARE SCHEME ALLOWS FOR GREATER THAN A 60/40 LOAD SHARE ON THE -48V OUTPUT WHEN TWO OR MORE SUPPLIES ARE CONNECTED IN PARALLEL.
- REMOTE SENSE CAPABILITY FOR THE -48V OUTPUT.
- INHIBIT SIGNAL ALLOWS SUPPLY TO BE SHUTDOWN ELECTRONICALLY (CONTACT CLOSURE TO -48V RTN TURNS OFF OUTPUT).
- THE POWER GOOD SIGNAL IS A NORMAL LOGIC "1" SIGNAL WITH RESPECT TO THE -48V RTN, WHICH GOES LOW WHENEVER ANY OF THE FOLLOWING CONDITIONS OCCUR:
 - THE OUTPUT FAILS
 - THERE IS AN OVER TEMPERATURE CONDITION
 - THERE IS AN OVER VOLTAGE SHUT DOWN
 - THERE IS AN AC INPUT FAILURE
 (5msec WARNING BEFORE OUTPUT GOES OUT OF REGULATION).
- AN OUTPUT LED IS CONTAINED DRIVEN ON/OFF BY THE POWER GOOD SIGNAL.
- CONSULT FACTORY FOR FURTHER ELECTRICAL SPECIFICATIONS.



Nominal Input Voltage Frequency	220 VAC, 16A max, Single Phase. 47-63 Hz , 400Hz available.	Current Limiting	Output short circuit protected with SHUTDOWN protection. Recycle input power to reset.
Operational Input Voltage Range	176-264 VAC Power Factor 0.99 Typical at Full Load. Meets EN 61000-3-2.	Paralleling	Two or more supplies can be operated in parallel and will share current to within 10% of each other.
Inrush Current	Less than 4 msec. 100 amperes @ 220 VAC.	Redundant	Full power N+1 redundant with integral Oring Diodes.
Fusing	20 Ampere, 250 VAC, Very fast acting.	Remote Sense	Compensates for up to 2V total distribution voltage drop.
Hold up time	20msec minimum after loss of AC Input at full load and any input	INHIBIT	Open to Run, Contact closure to -48V RTN, turns off all outputs.
Efficiency	85% typical	Output Setting	Can be configured -46.0 to -56.0 Vdc.
Turn on time	1 sec max. from power up.	POWER GOOD Signal	Normal logic '1' TTL signal with respect to the -48V RTN which goes low whenever the output fails, an over-temperature condition, an over voltage shut down, or an AC input failure (5msec warning before output goes out of regulation).
Line and Load Regulation	±2% over AC input range and 0 to 100% load change.	Indicators	Green LED indicating Power Good.
Minimum Load	No minimum load required.	Cooling	Forced Air Cooled, Front - Back design.
Ripple & Noise	Through 20MHz 500mVpk-pk, with coaxial probe and 0.1uF/10uF capacitors at the connector.	Operating Temperature	-20°C to 50°C operating temperature.
Transient Response	Output maximum excursion of ± 5% for 25% load step. Recovery less than 500 µsec.	Stability	0.1% for 8 hrs. after 30 minute warm-up.
Overshoot/Undershoot	No turn-on or turn-off overshoot.	Humidity	Up to 95% non-condensing.
Output Isolation	Isolated from chassis ground, 50Vdc.	Storage Temperature	-40°C to 85°C.
Input/Output Isolation	2200 VDC from input to both chassis/outputs. SELV construction.	Connector	ELCON Middle Drawer
Reverse Voltage	Protected against reverse voltage to supply current rating.	Size	5" x 4.81" x 9" Weight: 17 lbs.
Overvoltage Protection	Shutdown at 130% of nominal Vout Recycle input power to reset.	EMC	Meets EN55022 Level A / FCC Class A conducted.
Overtemperature Protection	Unit shuts down if overheated. Recycle AC to reset.	Safety	UL 1950, CSA C22.2 No. 950, EN60950.
Leakage Current	1.0mA max at 240Vac.		

REV: B