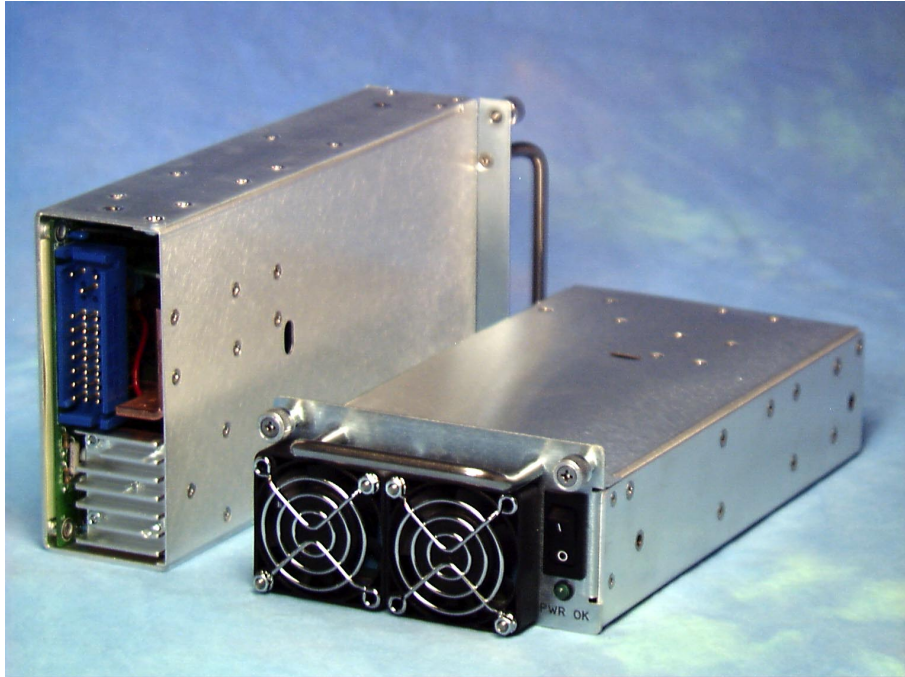


# HS-350P

## LOW PROFILE - HOT SWAP - 350 WATTS

ONE TO FOUR OUTPUTS - POWER FACTOR CORRECTED 90-264 VAC

Dual High Current Outputs, Standard Models of 5Vdc/40Amps and 3.3Vdc/20Amps



### FEATURES:

- Low Profile 2.06" x 5" x 10.41" in Size
- N+1 Redundant and Hot Swap (Positronic Connector)
- One to Four outputs with Oring Diodes
- Meets EN55022 Level A / FCC Class A
- No Additional Cooling Required up to 50 °C
- Power Factor Corrected Input (90-264VAC)
- Active Current Share Capability
- Remote Sense On V1 / V2 Outputs
- 400 Watt Capability
- Up to 20A Capability on V2
- Greater than 90,000 Hrs MTBF (500,000 Hrs in Redundancy)



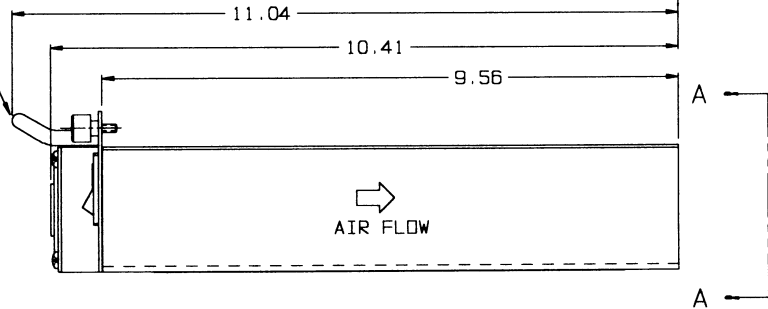
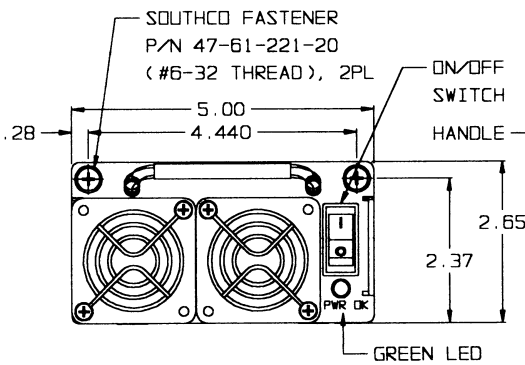
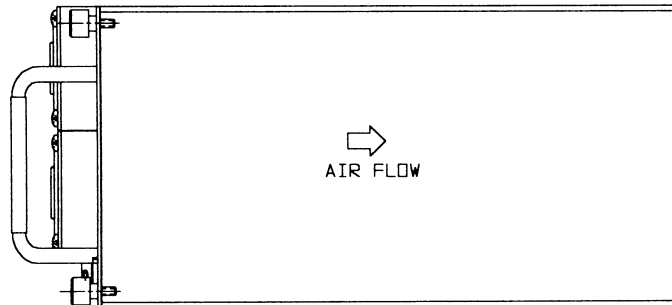
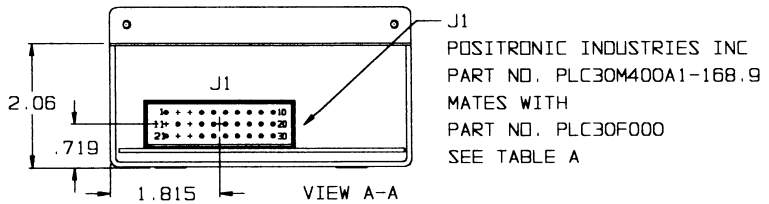
	OUTPUT VOLTAGE (VDC)	OUTPUT AMPERES (MAX)	OUTPUT POWER (WATTS)
V1	2 to 48	*40	400
V2	2 to 48	20	180
V3	3 to 24	4	96
V4	3 to 24	2	48

\* 60A Capability on V1 (additional cooling required - consult factory)

# HS-350P SERIES 350 WATT COMPACT SIZE

\*IN PDF FORMAT, PRINT OR ZOOM TO SEE DRAWING

PIN	SIGNAL	PIN	SIGNAL
J1-1	AC NEUTRAL	J1-16	RTN
J1-2	N/C	J1-17	+3.3V/20A
J1-3	N/C	J1-18	+3.3V SENSE
J1-4	+12V/4A	J1-19	+5V/40A
J1-5	-12V/2A	J1-20	+5V/40A
J1-6	RTN	J1-21	AC LINE
J1-7	+3.3V/20A	J1-22	N/C
J1-8	+3.3V RTN SENSE	J1-23	N/C
J1-9	+5V/40A	J1-24	I-SHARE
J1-10	+5V/40A	J1-25	PG/PF
J1-11	N/C	J1-26	RTN
J1-12	CASE GND	J1-27	INHIBIT
J1-13	N/C	J1-28	RTN
J1-14	+5V RTN SENSE	J1-29	RTN
J1-15	+5V SENSE	J1-30	RTN



<b>Nominal Input Voltage</b>	115-240 VAC.
<b>Frequency</b>	47-63 Hz, 400Hz. available.
<b>Operational Input Voltage Range</b>	90-264 VAC
<b>Inrush Current</b>	Less than 4 msec. 40 amperes @ 115 VAC or 80 amperes @ 230 VAC.
<b>Fusing</b>	8 Ampere, 250 VAC, Internal ceramic body fuse.
<b>Hold up time</b>	20msec minimum after loss of AC Input at full load and nominal input
<b>Efficiency</b>	70% typical (without OR diodes)
<b>Turn on time</b>	Less than 1 sec.
<b>Load Regulation</b>	1% for 10% to 100% load change on V1 1% for 0% to 100% load change on V2 3% for 0% to 100% load change on V3 2% for 0% to 100% load change on V4 10% min. load required on V1 for max load reg. on outputs V2 to V4.
<b>Line Regulation</b>	± 0.1% over operating line range, all outputs.
<b>Ripple &amp; Noise</b>	1% PARD or 100mv which ever is greater. 20MHz bandwidth.
<b>Transient Response</b>	Output maximum excursion of ± 5% for 25% load step. Recovery less than 500 μsec.
<b>Short Circuit and Overload Protection</b>	All outputs are protected from short circuit and overload. Automatic recovery.
<b>Overshoot</b>	No turn-on or turn-off overshoot.

<b>Overvoltage Protection</b>	Shutdown at 130% of nominal Vout. Recycle input power to reset.
<b>Overtemperature Protection</b>	Unit shuts down if overheated. AC must be recycled.
<b>Cooling</b>	Integral fans up to 50°C Ambient full power.
<b>Input/Output Isolation</b>	4242 VDC, SELV construction.
<b>Remote Sense (V1 &amp; V2 output)</b>	Up to 0.5 volts total in load.
<b>Remote On/Off</b>	Open to Run, Contact closure to return, turns off all outputs.
<b>Power Fail / Power Good</b>	The PF/PG signal is a normal Logic "1" which switches states whenever: a) The +5V, or +3.3V outputs go 5% below output specification. or b) Upon Loss of AC, the signal switches states at least 5msec before outputs go out of regulation.
<b>Operating Temperature</b>	-20°C to 50°C full output Consult Factory for greater than 50°C operation.
<b>Stability Humidity</b>	All outputs 0.5% for 8 hrs. after 1 hour warm-up. Up to 95% non-condensing.
<b>Size</b>	2.06"x 5"x 10.41" <b>Weight:</b> 4 lbs.
<b>EMI</b>	Meets FCC Class A and EN55022 Level A

SERIES BREAKDOWN:      HS-350X1-P  
where X1= S for Single output, D for Dual output, T for Triple output or Q for Quad output

REV: D