

# PC-350

DESIGNED FOR HIGH PERFORMANCE / HIGH POWER (>300 WATTS) PERSONAL COMPUTER USE. SPECIFICALLY INTENDED TO WORK WITH 'APPLE' TYPE SYSTEMS.

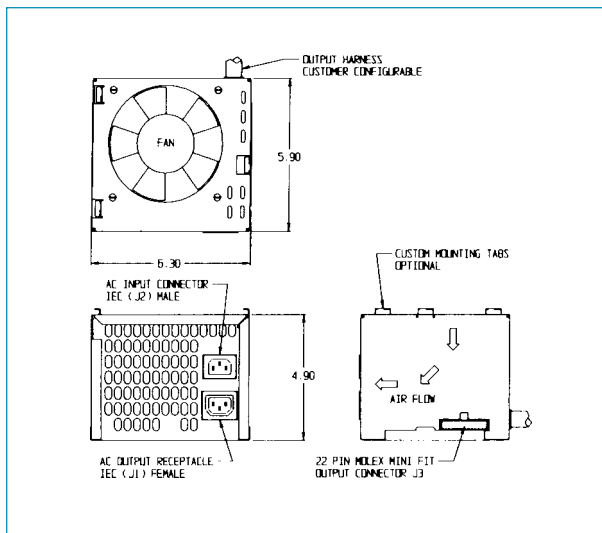


MADE IN THE U.S.A.



- FIVE OUTPUT CAPABILITY (INCLUDING INDEPENDENT +5V\_TRKL OUTPUT).
- UNIVERSAL INPUT.
- IEC INLET AC INPUT CONNECTOR.
- CONVENIENCE AC OUTPUT RECEPTACLE.
- CUSTOM OUTPUT HARNESS.
- ELECTRONIC ON/OFF CONTROLLED BY [POWER ON] SIGNAL.
- OUTPUT OVP, SHORT CIRCUIT AND OVERLOAD SHUTDOWN PROTECTION.
- OVER TEMPERATURE SHUTDOWN PROTECTION.
- MEETS FCC CLASS A / EN55022 LEVEL A EMISSIONS.
- MEETS UL 1950, CSA No. 950, EN 60950 SAFETY STANDARDS.

\*IN .PDF FORMAT, PRINT OR ZOOM TO SEE DRAWING



'TYPICAL' OUTPUT CONFIGURATIONS*	
V1	+5V/35A max
V2	+3.3V/35A max †
V3	+12V/18A max **
V4	-12V/1A max
V5	+5V_TRKL/.1A max

\*CAN BE CUSTOM CONFIGURED TO MEET YOUR SPEC.

\*\*FOR A PERIOD OF 12 SECONDS AT START UP (10A CONTINUOUS).

† 2.7 VOLT CONFIGURABLE.

EAST COAST:

3601 VETERANS HIGHWAY  
RONKONKOMA, NEW YORK 11779  
TEL (516) 981-7231 FAX (516) 981-7266

WEST COAST:

599 N. MATHILDA AVENUE  
SUNNYVALE, CALIFORNIA 94086  
TEL (408) 732-1230 FAX (408) 732-5712

